

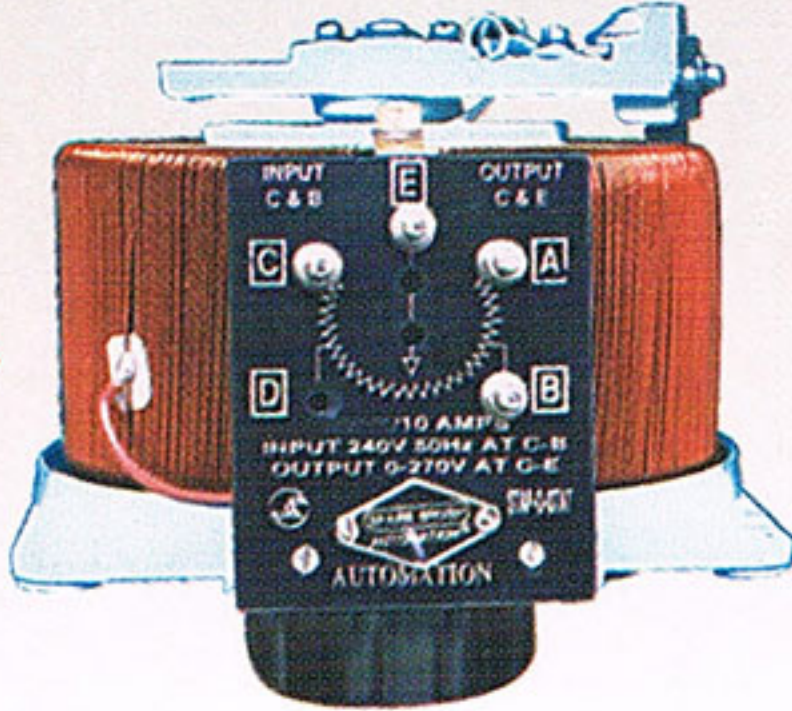
Always Ahead in Technology....



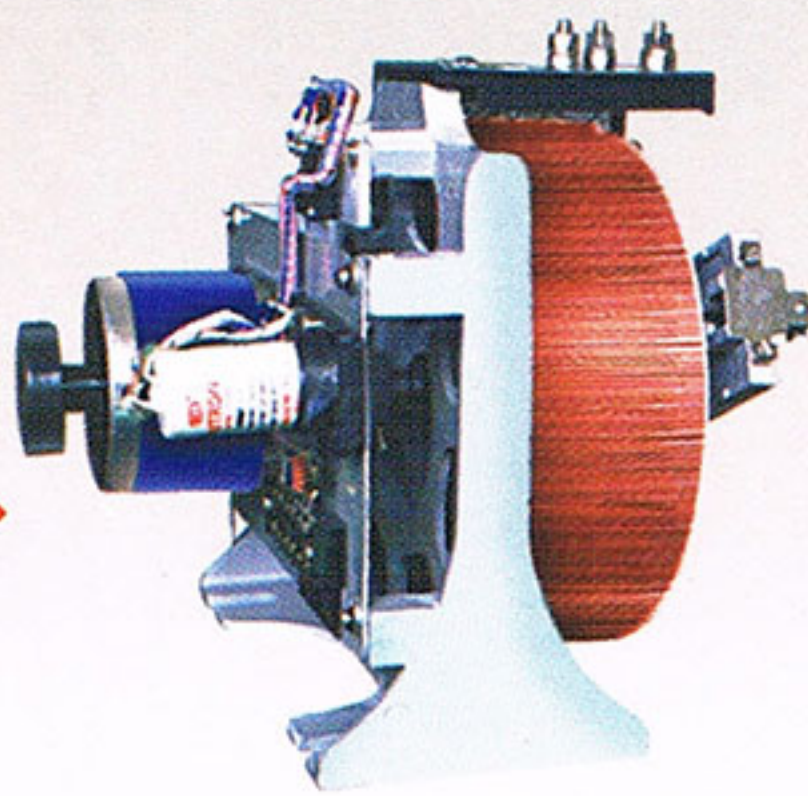
"STAP*O*STAT"

Variable Auto Transformer

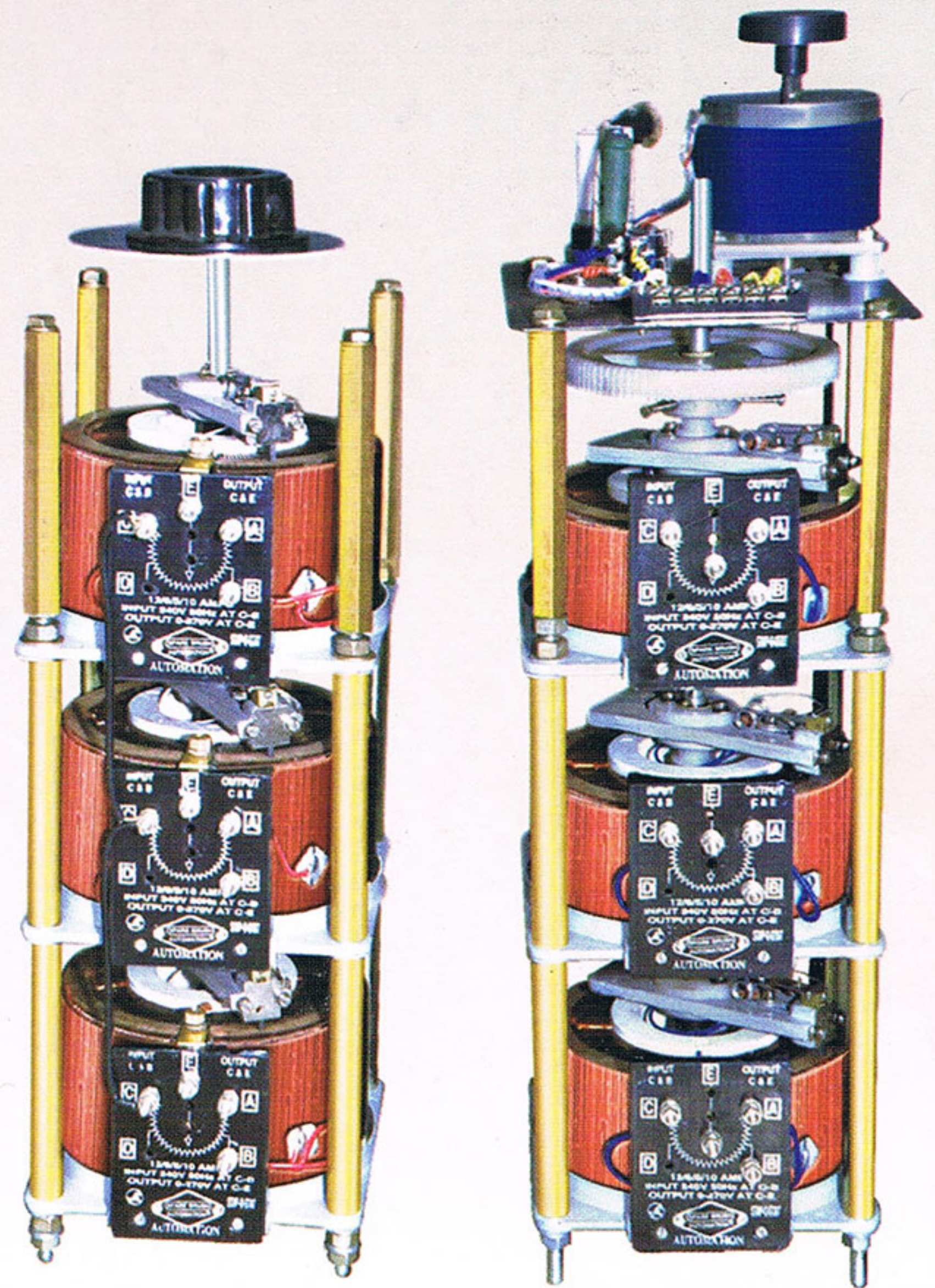
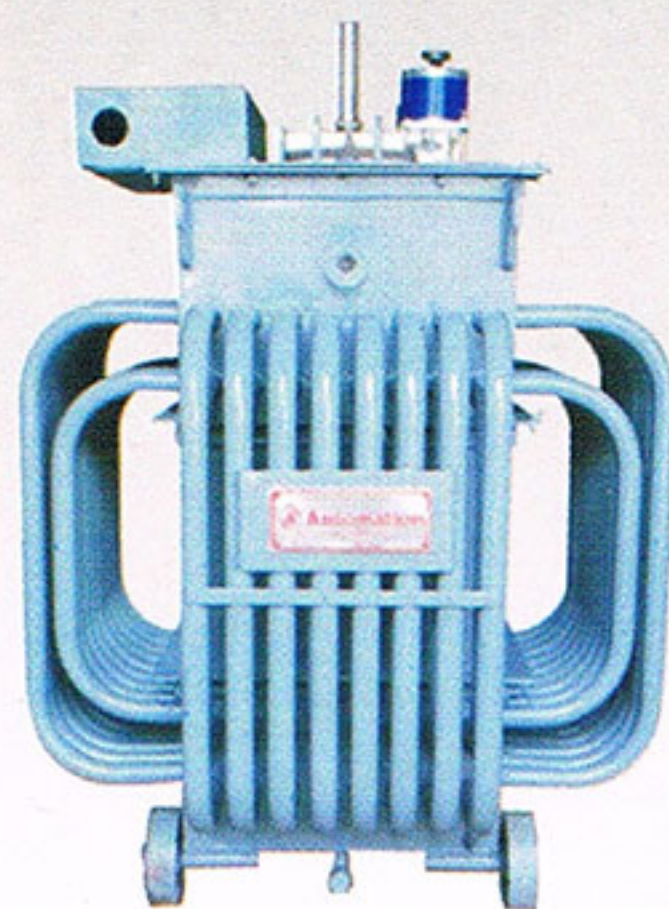
Single Phase
Flush



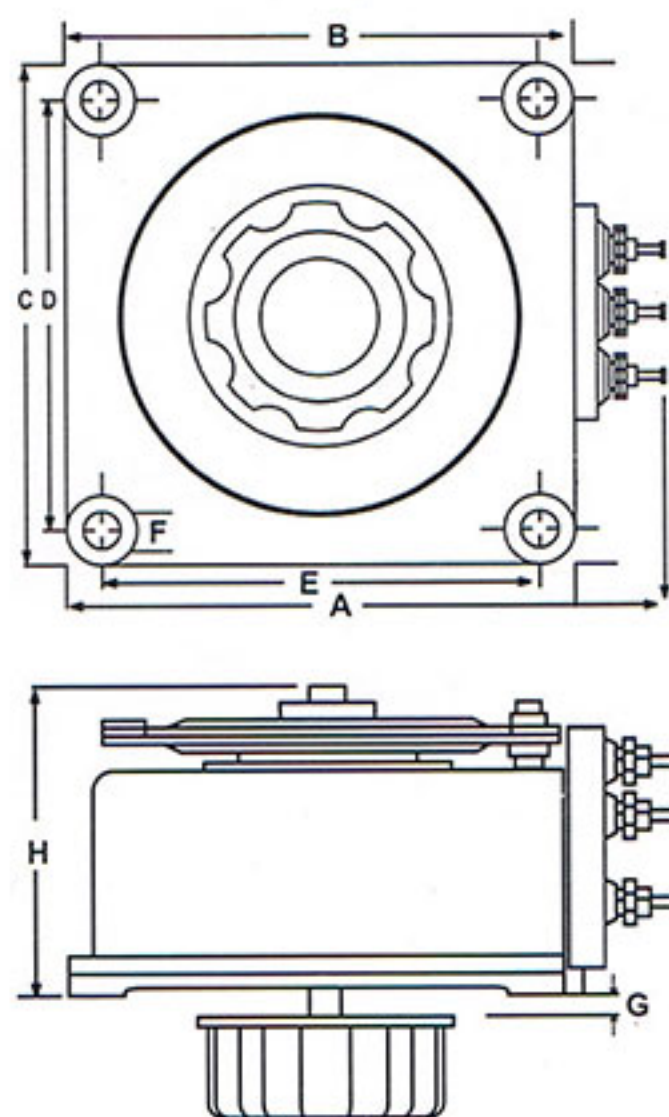
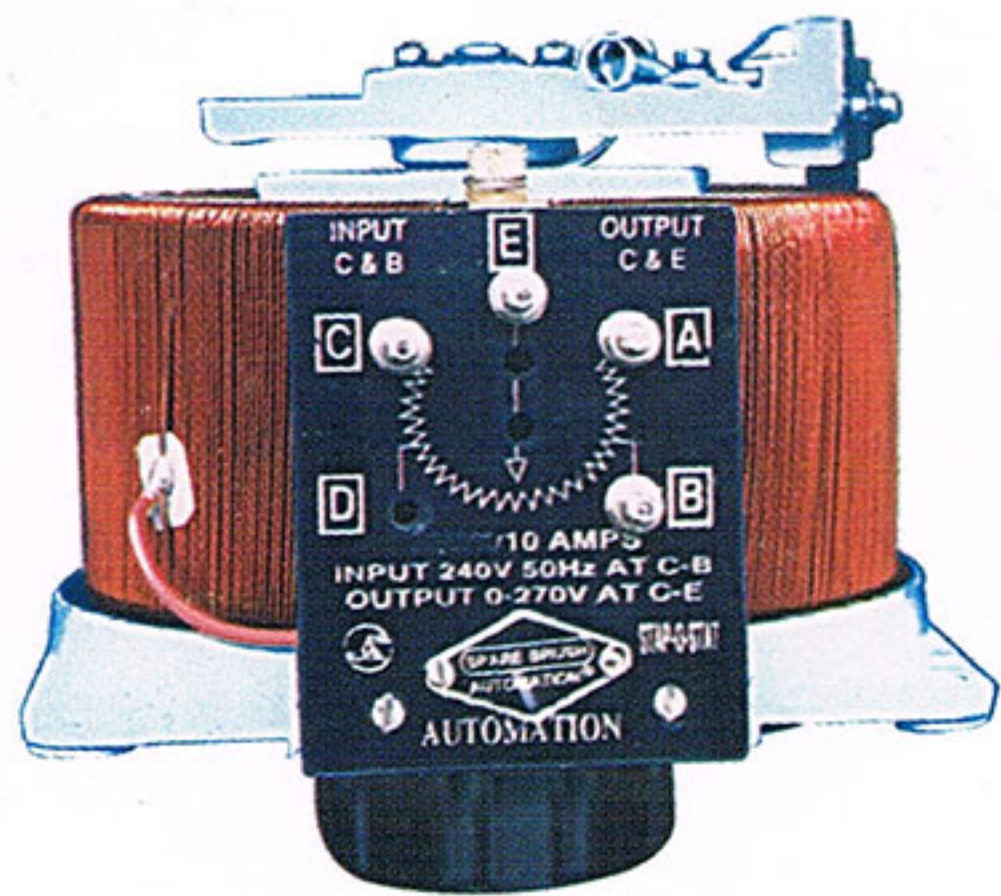
T-Clamp
(Servo Type)



Three Phase
Oil Cooled



Three Phase Flush ▲

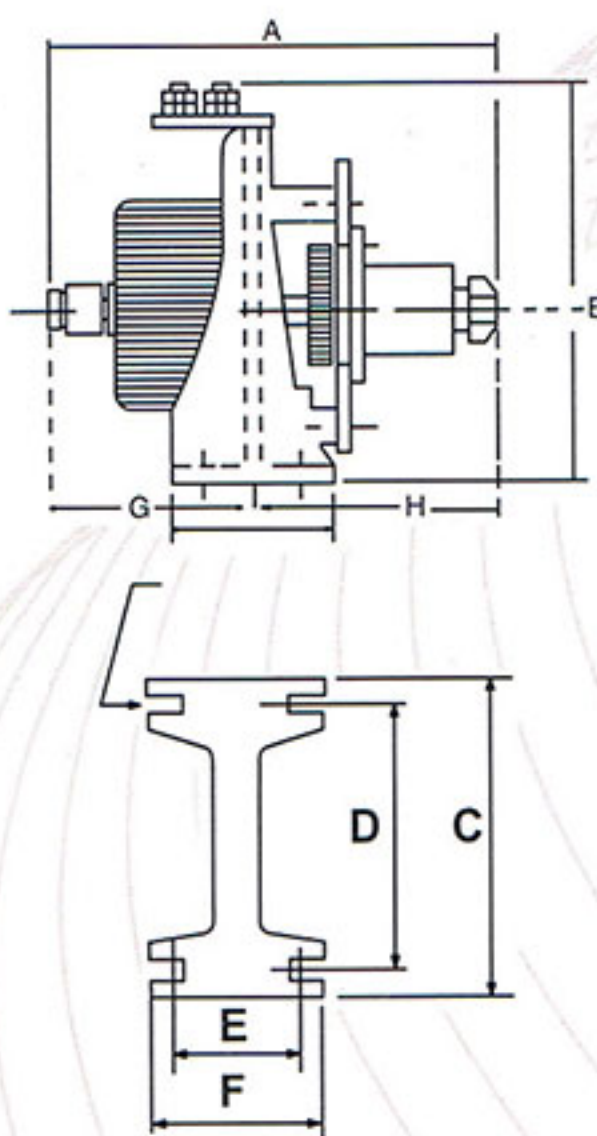
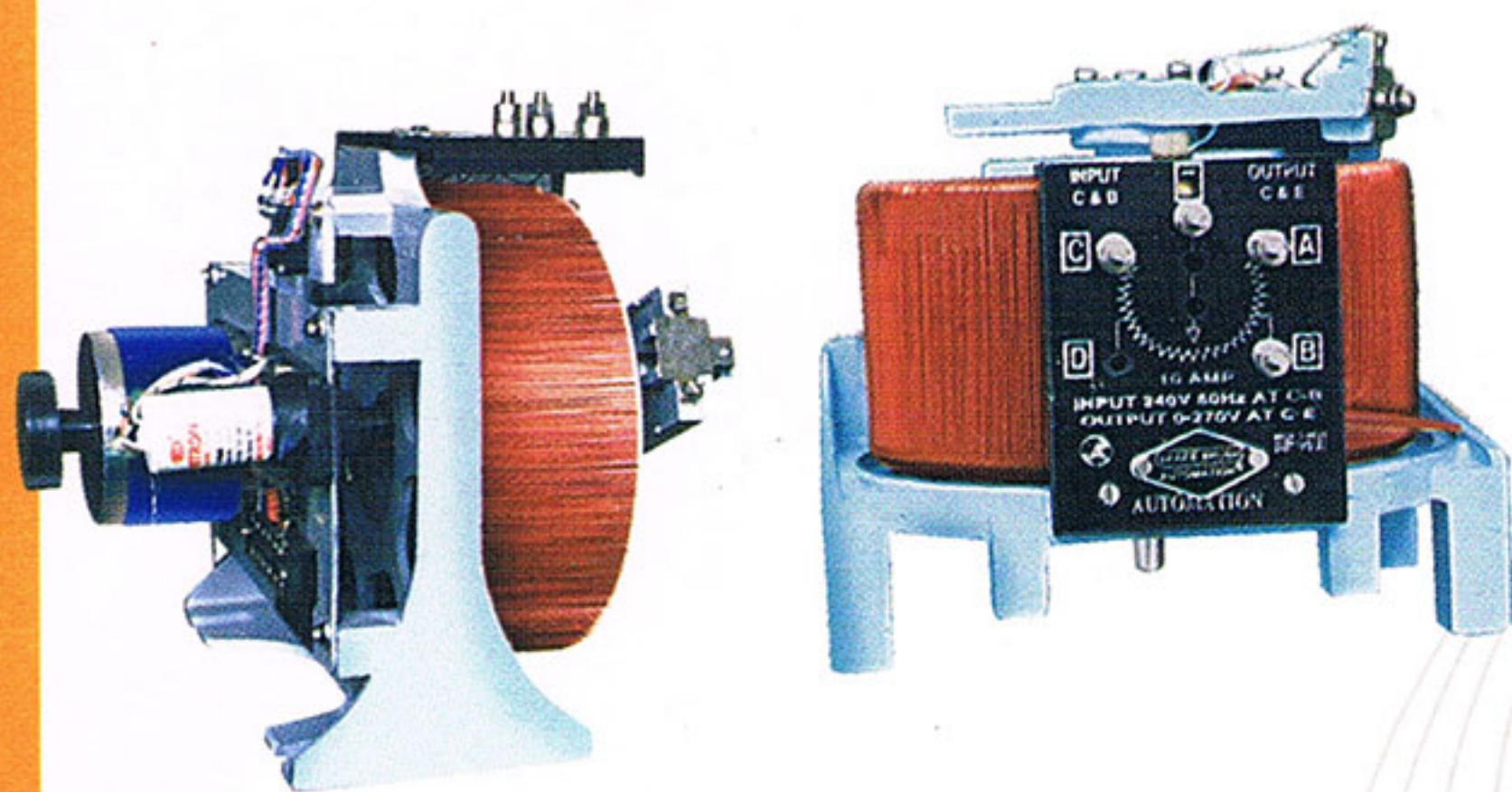
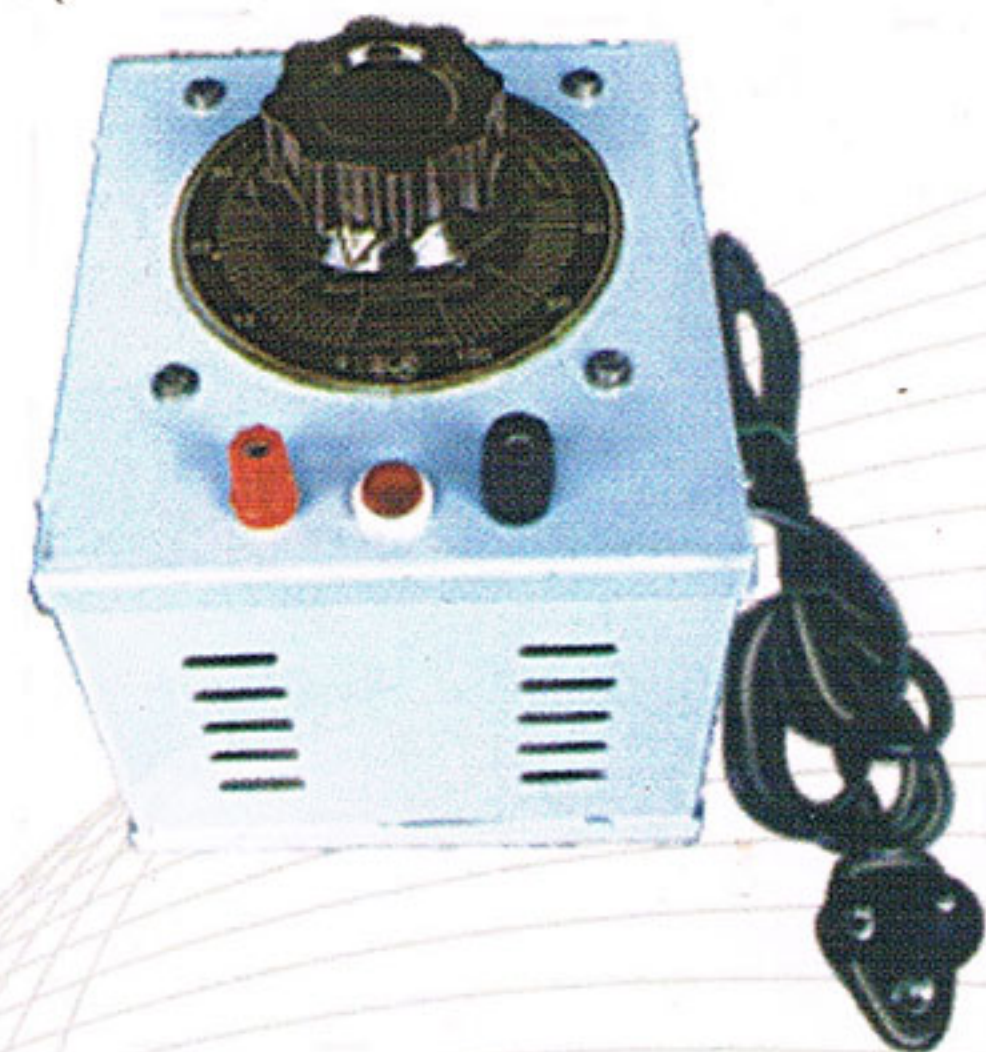
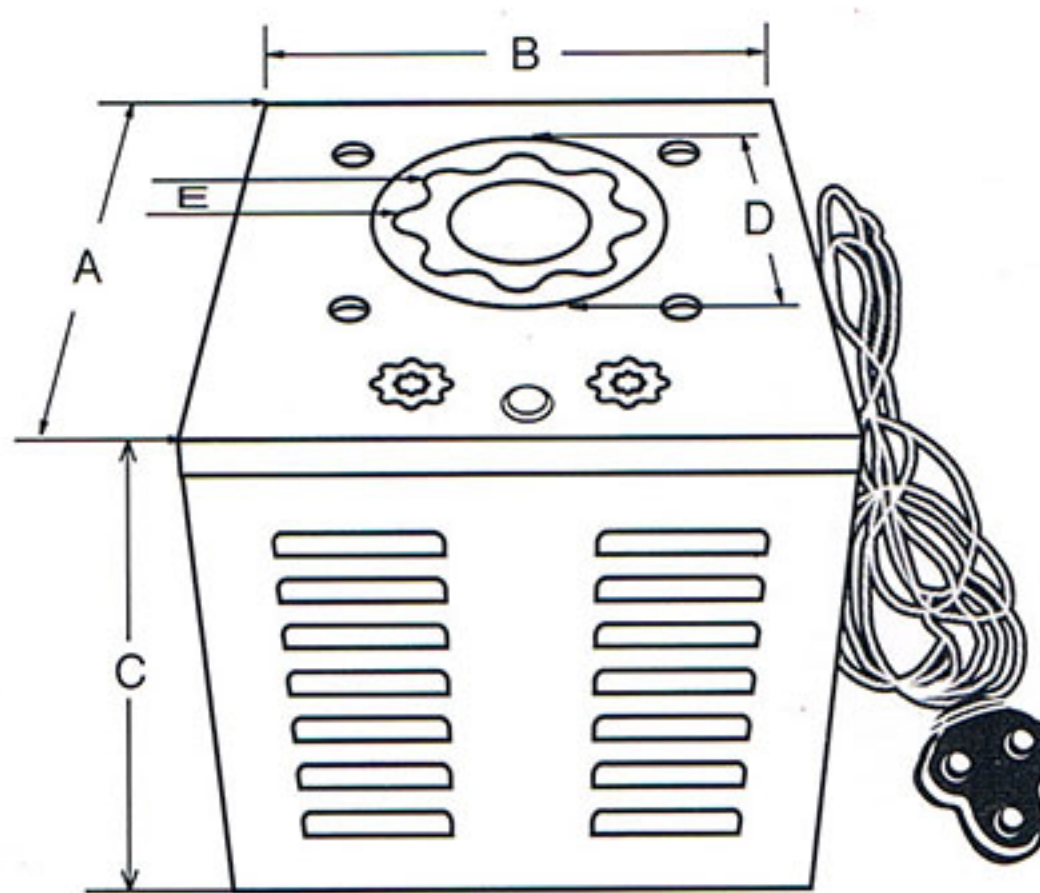


SINGLE PHASE FLUSH MOUNTING
INPUT 240V. 50HZ., OUTPUT 0-270V

TYPE	Capacity in Amps.	Approximate dimensions in mm								Approximate Weight in Kg.
		A	B	C	D	E	F	G	H	
2SS -1PF	2	145	120	120	92	92	8	7	115	3.200
5SS -1PF	5	200	170	170	146	146	9.5	20	115	7.200
10SS -1PF	10	200	170	170	146	146	9.5	20	125	8.400
15SS -1PF	15	250	220	220	176	176	12.5	25	135	13.000
20SS -1PF	20	250	220	220	176	176	12.5	25	155	15.300
25SS -1PF	25	280	245	245	200	200	12.5	25	135	19.500
30SS -1PF	30	330	290	290	238	238	12.5	25	165	23.700

SINGLE PHASE PROJECTION MOUNTING
INPUT 240V. 50HZ., OUTPUT 0-270V

TYPE	Capacity in Amps.	Approximate dimensions in mm					Approximate Weight in Kg.
		A	B	C	D	E	
2SS -1PC	2	160	140	132	92	15	4.400
5SS -1PC	5	260	185	150	146	20	8.400
10SS -1PC	10	260	185	150	146	20	9.600
15SS -1PC	15	310	235	165	176	20	14.000
20SS -1PC	20	310	235	165	176	20	17.000
25SS -1PC	25	325	250	165	200	20	22.000
30SS -1PC	30	380	330	200	238	22	26.000

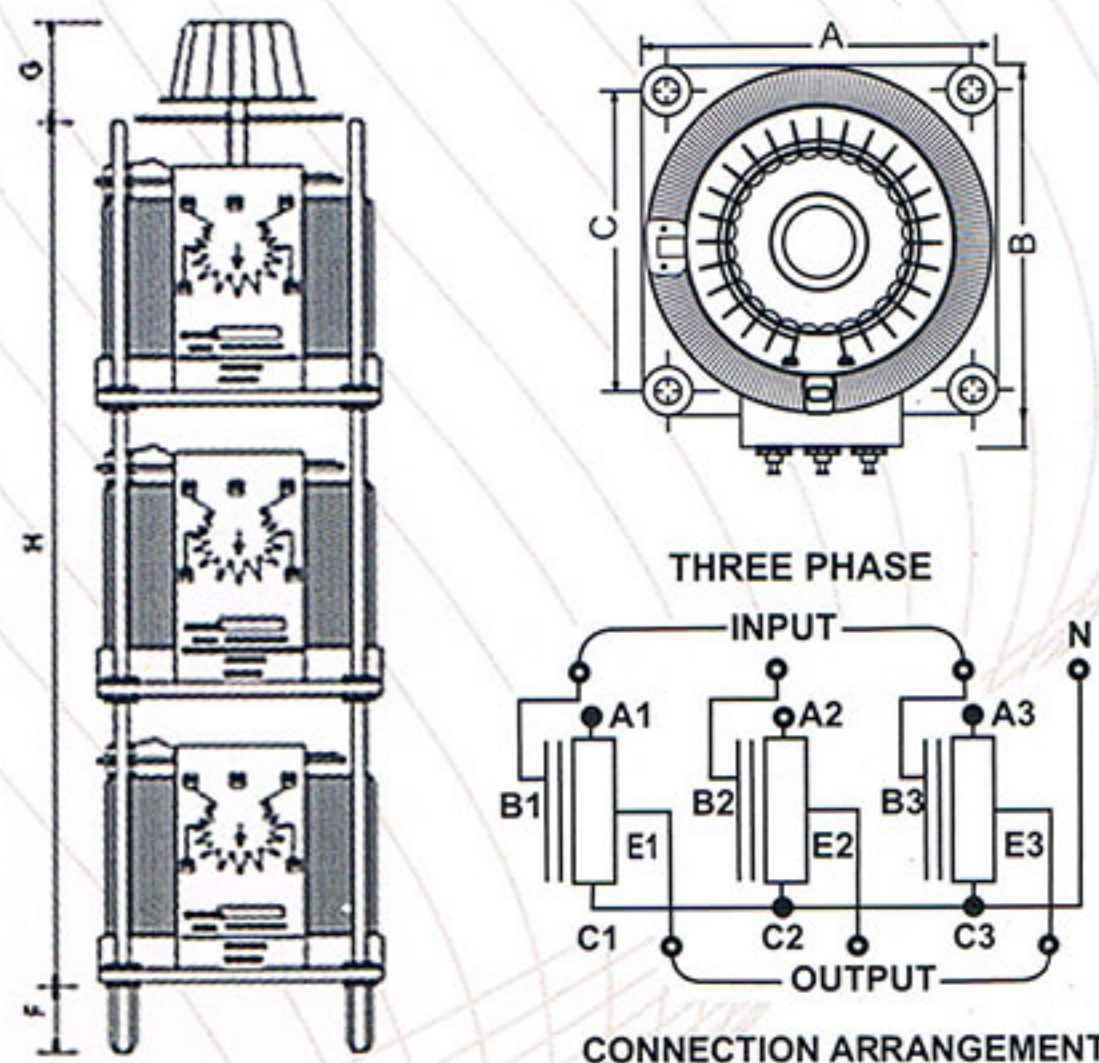


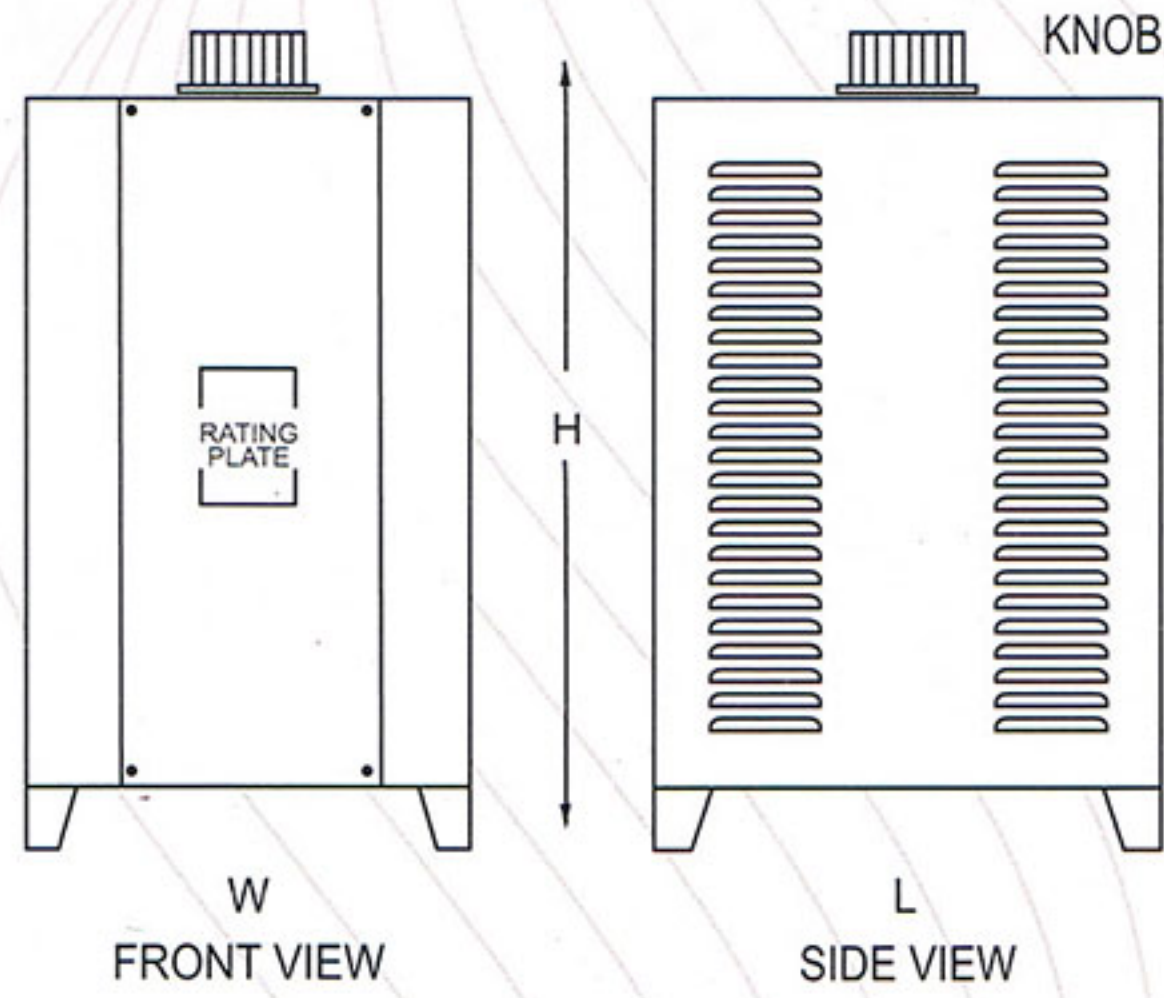
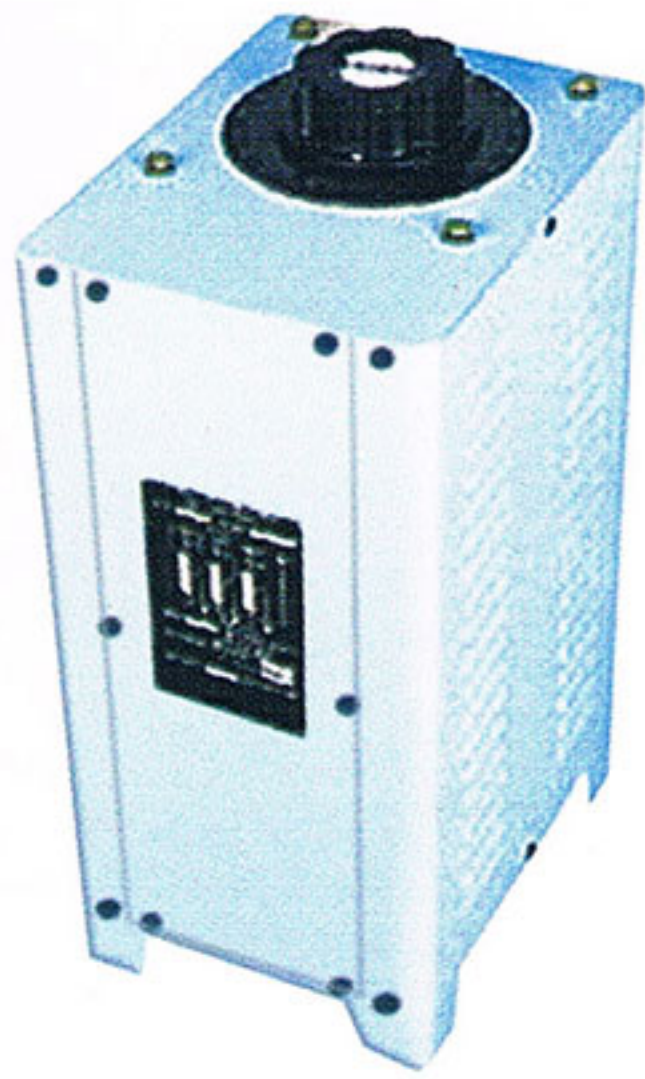
SINGLE PHASE FLUSH TYPE MOTORISED SERVO TYPE

AMPS	A	B	C	D	E	F	G
2 Amps.	225	150	130	84	55	75	140
5 Amps.	250	210	190	146	60	80	140
8/10 Amps.	260	210	190	146	60	80	140
15 Amps.	265	260	230	176	92	115	145
20 Amps.	275	260	230	176	92	115	145

THREE PHASE FLUSH MOUNTING
INPUT 415V, 50HZ, OUTPUT 0-470V

TYPE	Capacity in Amps.	Approximate dimensions in mm						Approximate Weight in Kg.
		A	B	C	F	G	H	
2SS -3PF	2	110	140	92	25	55	360	9.700
5SS -3PF	5	175	195	146	27	45	410	19.400
10SS -3PF	10	175	195	146	27	45	410	28.00
15SS -3PF	15	220	250	176	30	50	465	41.00
20SS -3PF	20	220	250	176	30	50	465	49.00
30SS -3PF	30	295	325	238	40	50	535	75.00



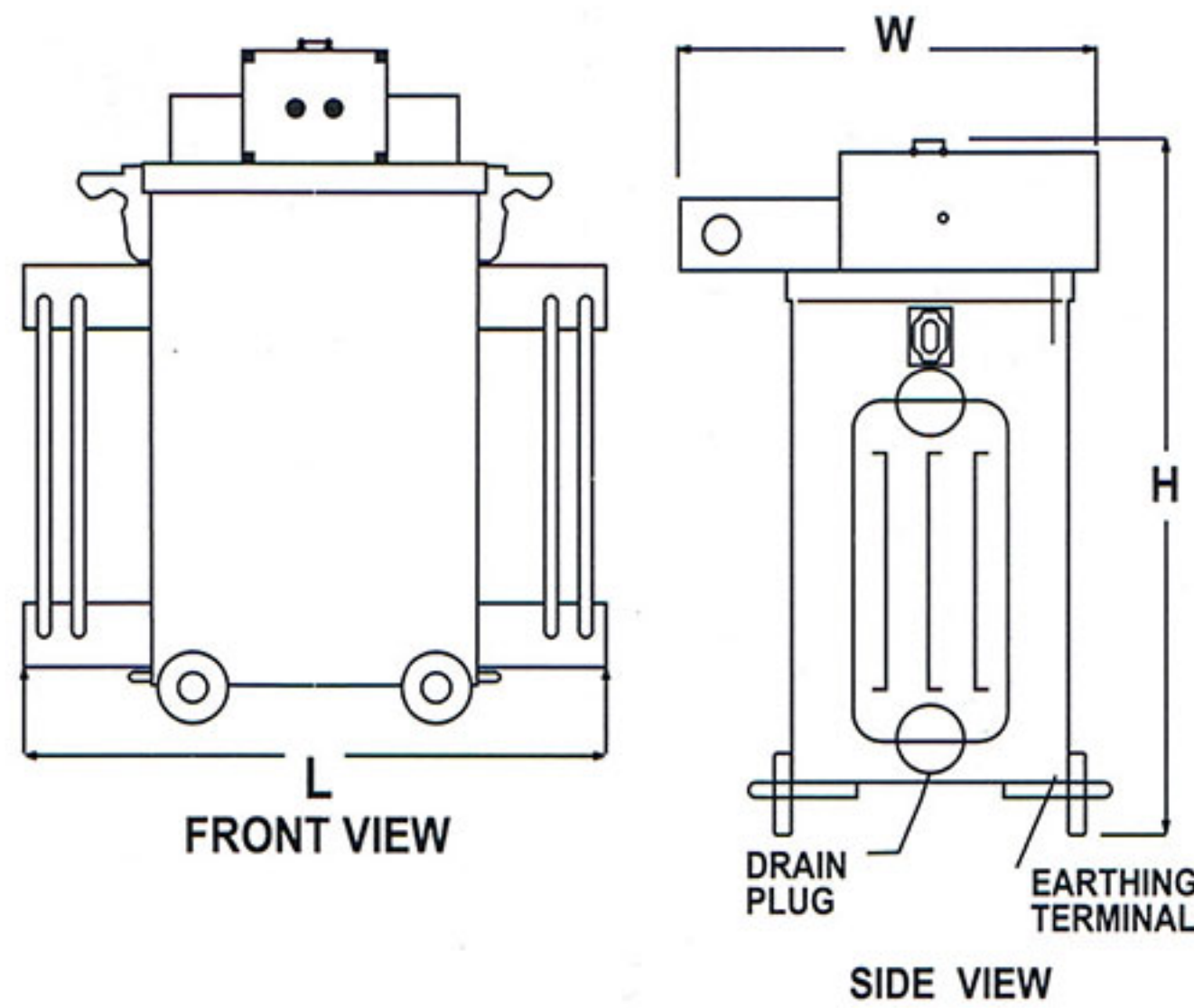
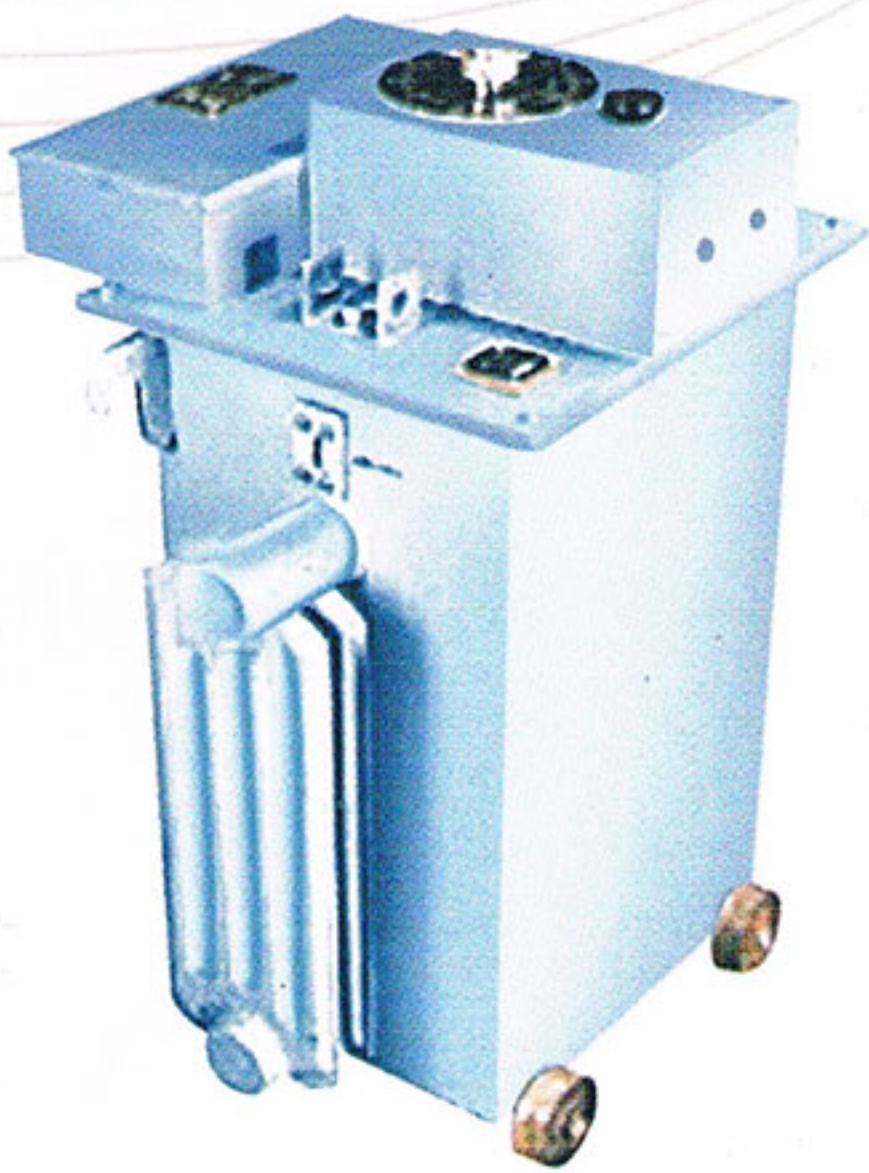
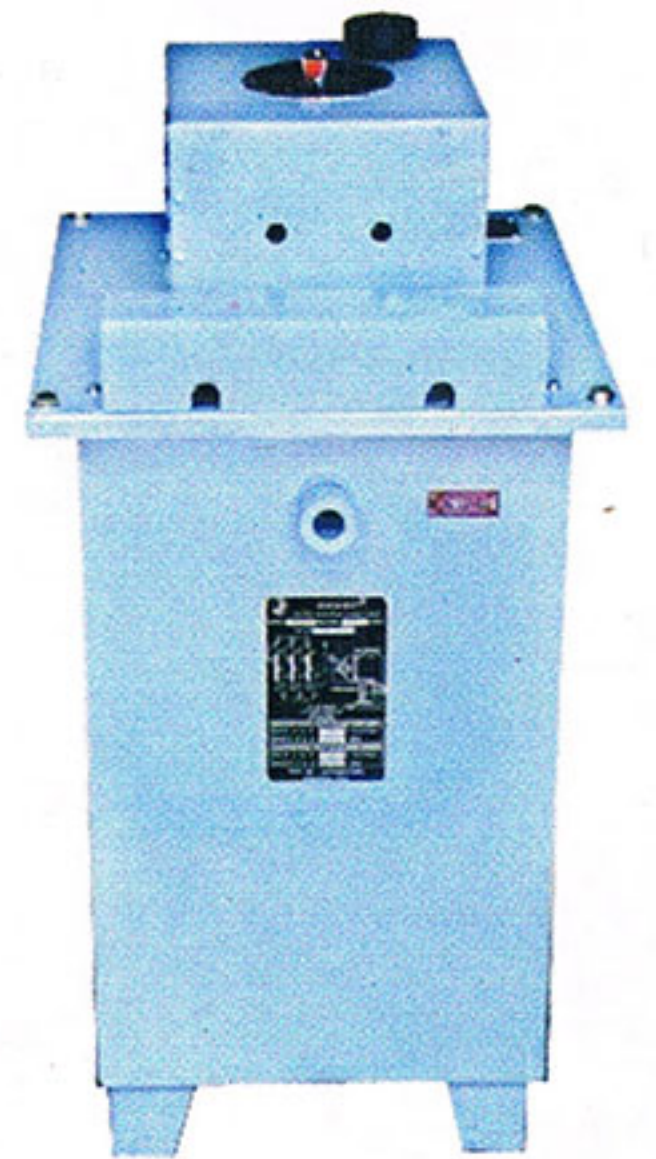
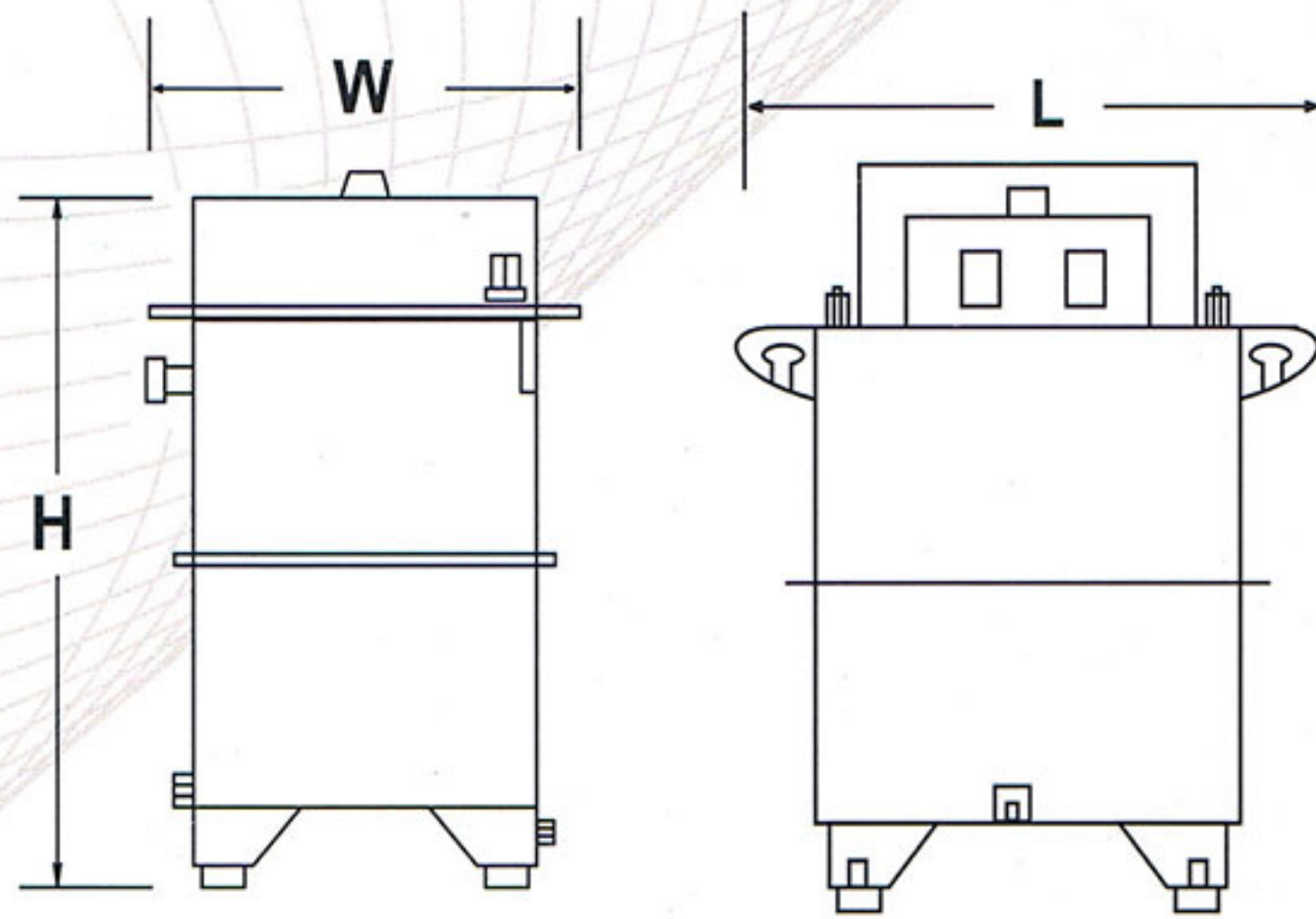


THREE PHASE PROJECTION MOUNTING
INPUT 415V, 50HZ., OUTPUT 0-470V

TYPE	Capacity in Amps.	Approximate dimensions in mm			Approximate Weight in Kg.
		H	W	L	
2SS -3PC	2	420	140	175	13.800
5SS -3PC	5	495	210	260	28.500
10SS -3PC	10	495	210	260	32.000
15SS -3PC	15	595	240	305	47.000
20SS -3PC	20	620	240	305	55.000
30SS -3PC	30	655	585	430	92.000

THREE PHASE OIL COOLED MOTORISED AUTO TRANSFORMER

TYPE	Capacity in Amps.	Approximate dimensions in mm		
		W	L	H
2SS -3POM	2	200	160	430
5/10SS -3POM	5/10	280	230	540
15/20SS -3POM	15/20	435	370	660
25SS -3POM	25	470	390	660
30SS -3POM	30	510	435	700

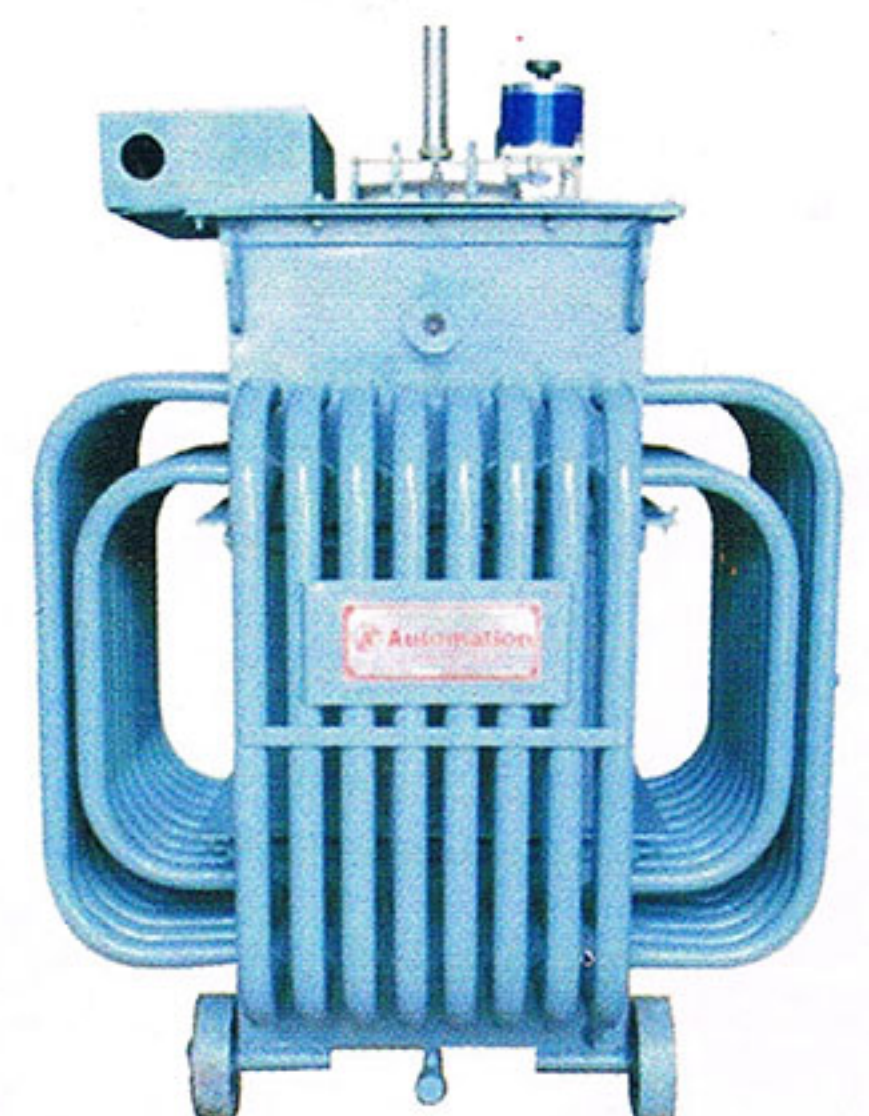
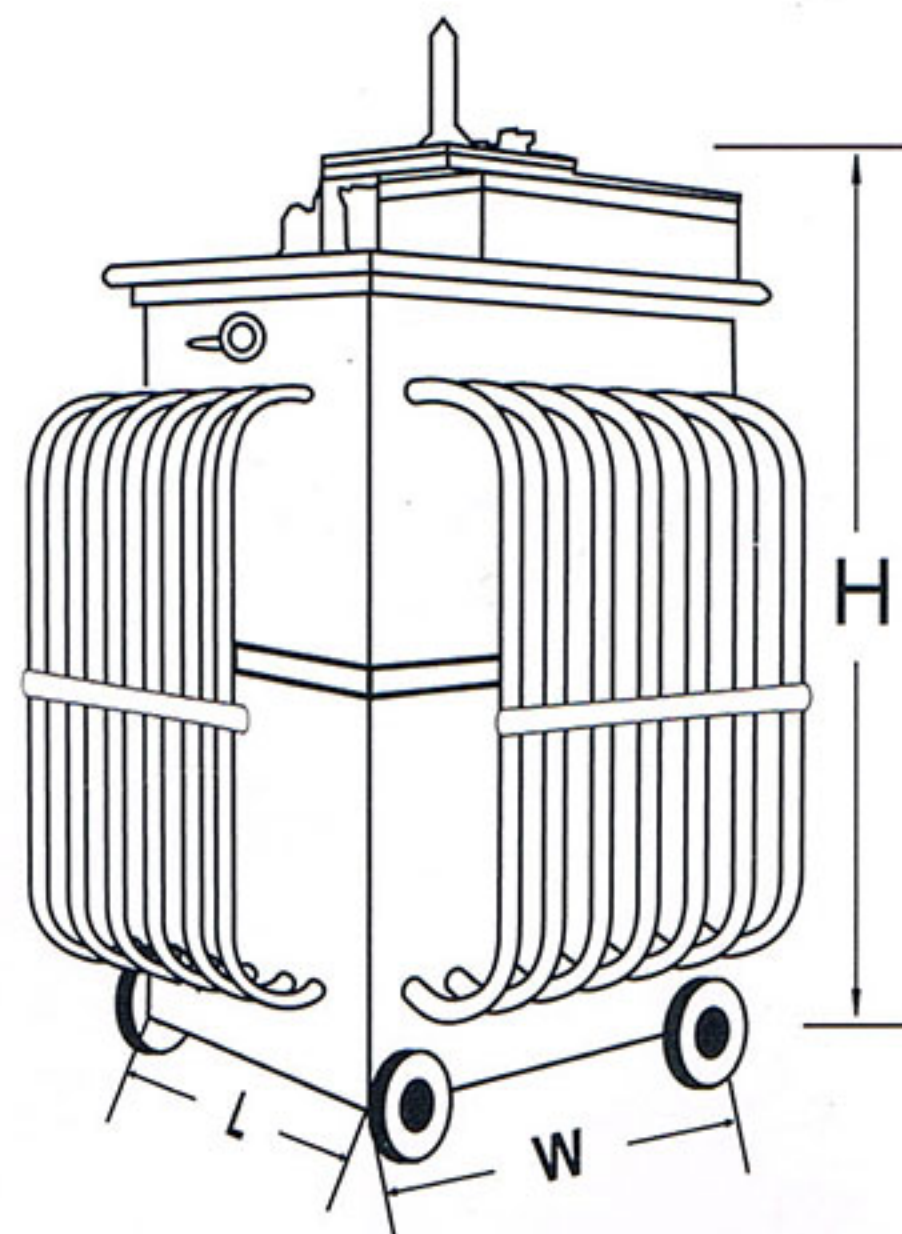


THREE PHASE OIL COOLED RADIATOR TYPE AUTO TRANSFORMER

Capacity in mm	40A	50A	60A	100A	150A	200A
Length in mm	575	715	715	840	1180	1400
Width in mm	495	595	595	710	860	860
Height in mm	1100	1100	1100	1300	1325	1325
Approx w/o weight	180	210	240	370	640	720

THREE PHASE OIL COOLED AUTO TRANSFORMER

Capacity in mm	40A	50A	60A	100A	150A	200A
Length in mm	575	715	715	840	1180	1400
Width in mm	495	595	595	710	860	860
Height in mm	1100	1100	1100	1300	1325	1325
Approx w/o weight	180	210	240	370	640	720



Profile



Continuously Variable Auto 'STAP - O - STAT' Transformer :
Automation is an ISO-9001 certified company was established in the year 1991 as a leading manufacturer of all types of variable voltage Auto Transformer with long experience and efforts made by our dedicated working team, We have emerged as one of the most successful enterprises engaged in making our product of highest quality in any volume in the given time.

" STAP - O - STAT" Auto Transformer is a continuously variable voltage auto transformers, having a movable carbon tip, fixed to brush arm, sliding on a silver plated commutator, Rotation of the brush arm by eighter manual or motor drive, delivers an output voltage from zero or above line voltage.

Application:

- Anodizing and Electroplating industries.
- Measuring and testing equipment.
- Research laboratories and colleges etc.
- Lighting control in theatres, studios etc.
- Control of light, heat and speed etc.
- Servo stabilizers, Textile machineries.
- Control panels

Quality Assurance

Quality remains one of our main priorities. The quality assurance department is totally involved in all stages of the design, development and production. With the support of qualified technicians and test equipments, we constantly seek to maintain and improve the quality of our products. We have a perfect working environment that creates a team spirit and strives to achieve customer satisfaction

" STAP - O - STAT" to suit any special voltage current etc. can be made on request.

Warranty & After Sales Service:

We give one year warranty of our products from the date of supply against any manufacturing defect. Our after sales support is one of the best in the industries and we are known for our prompt services.



Automation

D/1, Axay C.H.S.L., Opp. Raghuvver Complex,
Odhav Road, Ahmedabad - 382415, Gujarat, India
Phone : 91-79-22890789 Mobile : 93751 54501
E-mail : sales@automation.com
info@automation.com
Web : www.automationtransformer.com